

4

3

2

1

D

D

C

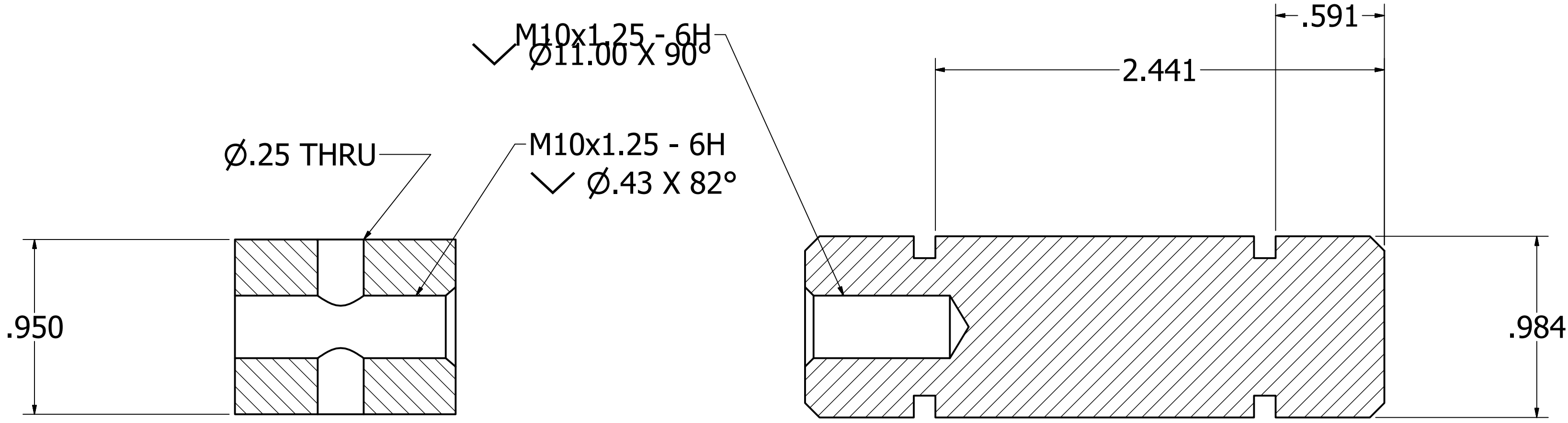
C

B

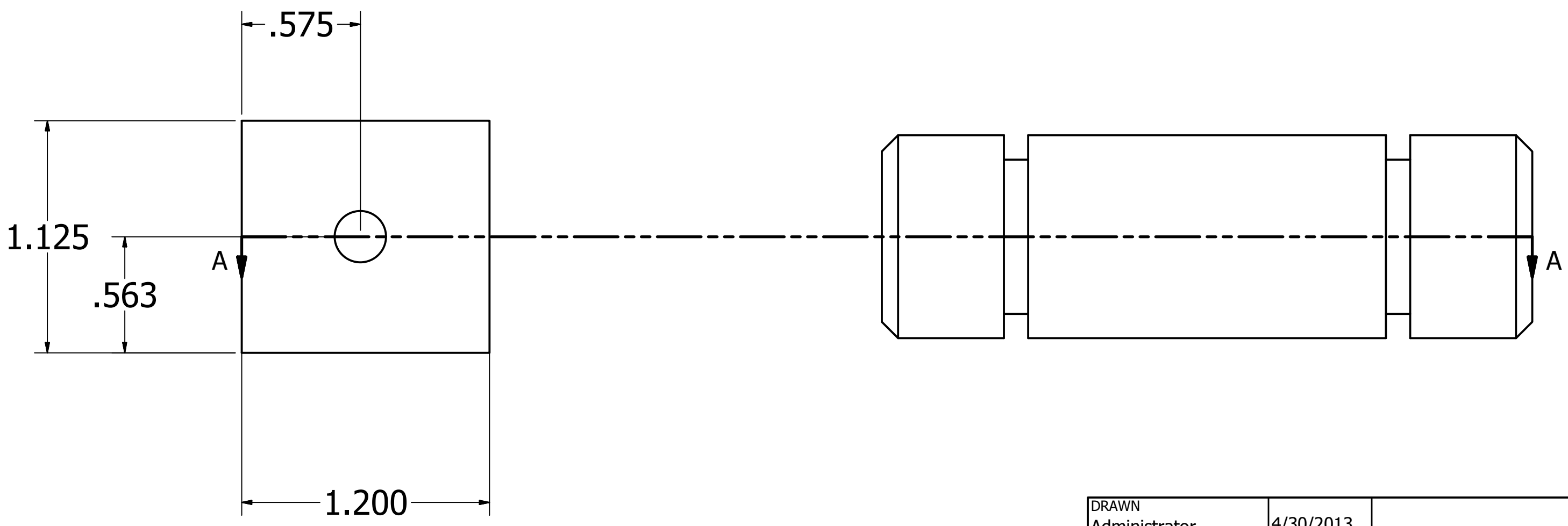
B

A

A



SECTION A-A  
SCALE 2 : 1



DRAWN Administrator	4/30/2013	TITLE		
CHECKED				
QA				
MFG				
APPROVED		SIZE C	DWG NO front-peg	REV
		SCALE		SHEET 1 OF 1